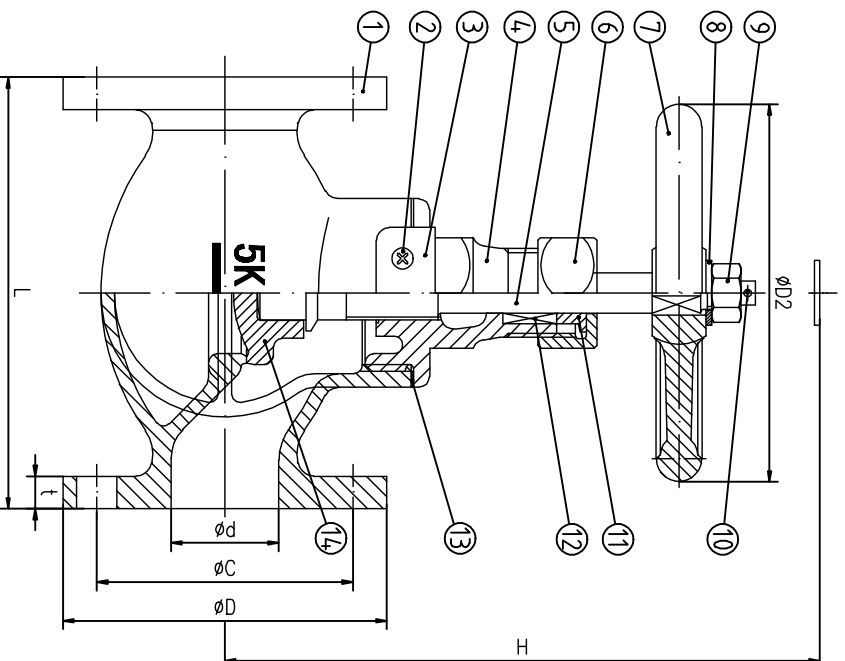




Marine Bronze Screw Down Check Globe Valves 5K

### Technical Specification

Nominal Pressure	Strength testing pressure	Seat testing pressure
5K	1.05MPa	0.77MPa



DN	d	L	D	C	No-h	t	H	DI	d1	a
15	15	100	80	60	4-12	9	130	80	Tr-14	3
20	20	110	85	65	4-12	10	140	100	Tr-16	4
25	25	120	95	75	4-12	10	160	125	Tr-18	4
32	32	140	115	90	4-15	12	170	125	Tr-18	4
40	40	160	120	95	4-15	12	190	140	Tr-20	5
50	50	210	130	105	4-15	14	235	140	Tr-22	6
65	65	250	155	130	4-15	14	260	160	Tr-24	7

14	Disc	H62	
13	Asbestos Free	Expanded Graphite	
12	Graphite Packing	Expanded Graphite	
11	Gland Packing	H62	
10	Split Pin	A3	Electroplating yellow
9	Nut	Q235A	Electroplating yellow
8	Gasket Ring	Q235A	Electroplating yellow
7	Handwheel	HT200	
6	Gland nut	H62	
5	Stem	H62	
4	Cover	ZCuSn5Pb5Zn5	
3	Check Washer	H62	
2	Screw	Q235A	Electroplating yellow
1	Body	ZCuSn5Pb5Zn5	
No.	Description	Material	Remark
			JIS 7351-5K
			Note
			QTY
			Proportion
			A total of 1 first
			QingDao V-good Marine Valve Manufacturing CO.,LTD.

DRAWING

Process

Calibrator

Design

Note

Handle

NO.

Review

Sign

Date

Fukewei

NO.

Review

Sign

Date

Approver

Date

2015.17

2015.17