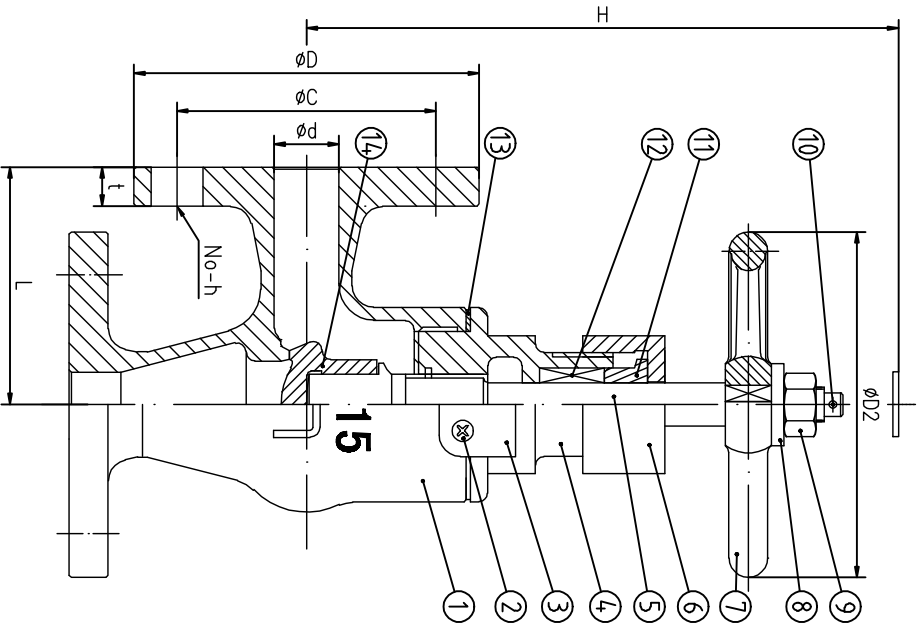




Marine Bronze Screw Down Check Angle Valves 5K



| DN | d | L | D | C | No-h | t | H | D1 | d1 | a |
|----|----|-----|-----|-----|------|----|-----|-----|------|---|
| 15 | 15 | 55 | 80 | 60 | 4-12 | 9 | 120 | 80 | Tr14 | 3 |
| 20 | 20 | 60 | 85 | 65 | 4-12 | 10 | 130 | 100 | Tr16 | 4 |
| 25 | 25 | 65 | 95 | 75 | 4-12 | 10 | 145 | 125 | Tr18 | 4 |
| 32 | 32 | 80 | 115 | 90 | 4-15 | 12 | 150 | 125 | Tr18 | 4 |
| 40 | 40 | 85 | 120 | 95 | 4-15 | 12 | 165 | 140 | Tr20 | 5 |
| 50 | 50 | 100 | 130 | 105 | 4-15 | 14 | 200 | 140 | Tr22 | 6 |
| 65 | 65 | 115 | 155 | 130 | 4-15 | 14 | 220 | 160 | Tr24 | 7 |

Technical Specification

| Nominal Pressure | Strength testing pressure | Seat testing pressure |
|------------------|---------------------------|-----------------------|
| 5K | 1.05MPa | 0.77MPa |

| 14 | Disc | H62 | |
|--|------------------|-------------------|-----------------------|
| 13 | Asbestos Free | Expanded Graphite | |
| 12 | Graphite Packing | Expanded Graphite | |
| 11 | Gland Packing | H62 | |
| 10 | Split Pin | A3 | Electroplating yellow |
| 9 | Nut | Q235A | Electroplating yellow |
| 8 | Gasket Ring | Q235A | Electroplating yellow |
| 7 | Handwheel | HT200 | |
| 6 | Gland nut | H62 | |
| 5 | Stem | H62 | |
| 4 | Cover | ZCuSn5Pb5Zn5 | |
| 3 | Check Washer | H62 | |
| 2 | Screw | Q235A | Electroplating yellow |
| 1 | Body | ZCuSn5Pb5Zn5 | |
| No. | Description | Material | Remark |
| | | | JIS 7352-5K |
| | | | Note QTY Proportion |
| | | | A total of 1 first |
| DRAWING | | | |
| Design | Fukewei | Review | |
| Calibrator | Fukewei | Approver | |
| Process | | Date | 2015.17 |
| QingDeo V-gate Marine Valve Manufacturing Co.,LTD. | | | |