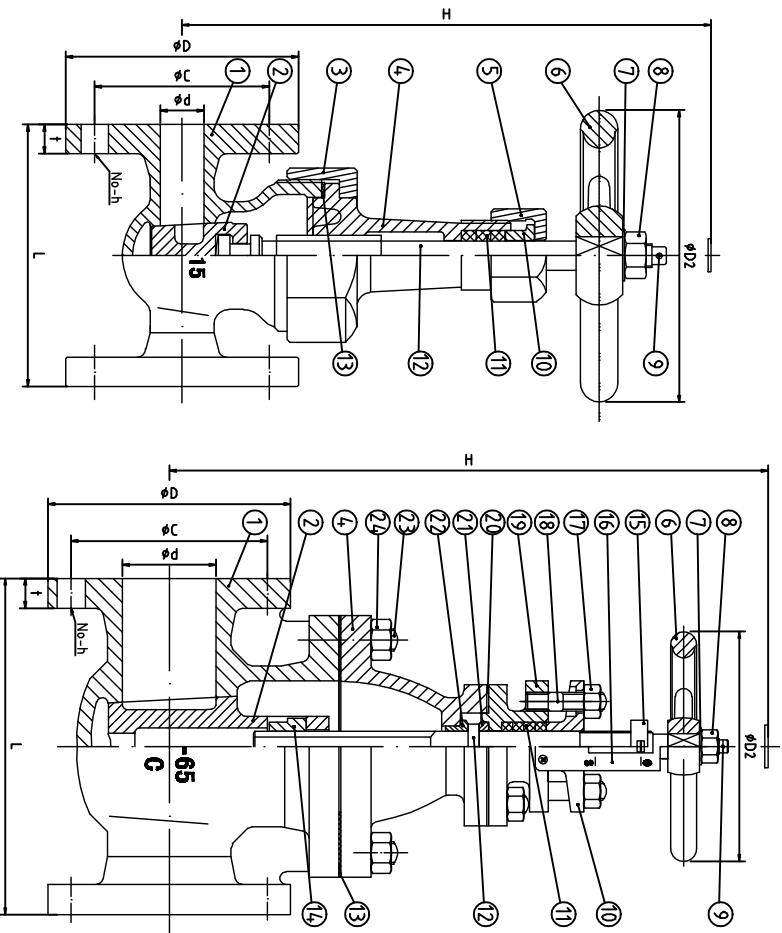




Marine Bronze Rising Stem Type Gate Valves 5K

Technical Specification

Nominal Pressure	Strength testing pressure	Seat testing pressure
5K	1.05MPa	0.77MPa



DN	d	L	D	C	No-h	t	H	D2
15	15	90	80	60	4-12	9	175	80
20	20	100	85	65	4-12	10	220	80
25	25	110	95	75	4-12	10	220	100
32	32	130	115	90	4-15	12	250	100
40	40	140	120	95	4-15	12	290	125
50	50	180	130	105	4-15	16	282	125
65	65	190	155	130	4-15	18	302	140
80	80	200	180	145	4-19	18	335	160
100	100	230	200	165	8-19	18	375	180

24	Nut	Q235A	
23	Double Open end Bolt	Q235A	
22	Thrust bush	H62	
21	Thrust pad	H62	
20	Asbestos Free	Expanded Graphite	
19	Packing box	H62	
18	Double Open end Bolt	Q235A	
17	Nut	Q235A	
16	Scale	H62	
15	Staff	H62	
14	Square nut	H62	
13	Asbestos Free	Expanded Graphite	
12	Stem	H62	
11	Graphite Packing	Expanded Graphite	
10	Gland Packing	H62	
9	Spill Pin	A3	
8	Nut	Q235A	
7	Gasket Ring	Q235A	
6	Handwheel	HT200	
5	Gland nut	H62	
4	Cover	H62	
3	Gland nut	H62	
2	Disc	ZCuSn5Pb5Zn5	
1	Body	ZCuSn5Pb5Zn5	
No.	Description	Material	Remark
JIS 7367-5K			
A total of 1 First			
DRAWING			
Design	Fukewei	Review	
Calibrator	Fukewei	Approver	
Process		Date	2015.18
Note			QTY
Handle			Proportion
NO.			
Sign			
Date			
QingDeo V-gate Marine Valve Manufacturing Co.,LTD.			