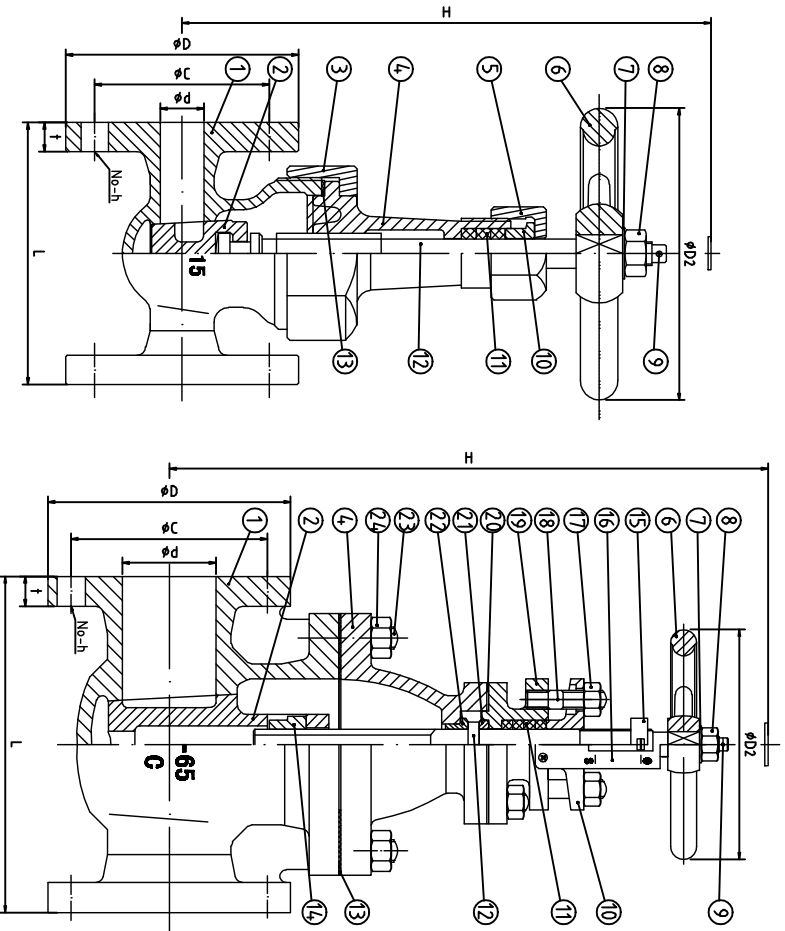




Marine Bronze Rising Stem Type Gate Valves 10K

Technical Specification

Nominal Pressure	Strength testing pressure	Seat testing pressure
5K	1.05MPa	0.77MPa



DN	d	L	D	C	No-h	t	H	D2
15	15	100	95	70	4-15	12	175	80
20	20	110	100	75	4-15	14	220	80
25	25	120	125	90	4-19	14	220	100
32	32	140	135	100	4-19	16	250	100
40	40	150	140	105	4-19	16	290	125
50	50	200	185	120	4-19	16	282	125
65	65	220	175	140	4-19	18	302	140

24	Nut	Q235A	
23	Double Open end Bolt	Q235A	
22	Thrust bush	H62	
21	Thrust pad	H62	
20	Asbestos Free Packing box	Expanded Graphite	
19	Packing box	H62	
18	Double Open end Bolt	Q235A	
17	Nut	Q235A	
16	Scale	H62	
15	Staff	H62	
14	Square nut	H62	
13	Asbestos Free Stem	Expanded Graphite	
12	Graphite Packing	Expanded Graphite	
11	Gland Packing	H62	
10	Spillt Pin	A3	
9	Nut	Q235A	
8	Gasket Ring	Q235A	
7	Handwheel	HT200	
6	Gland nut	H62	
5	Cover	H62	
4	Gland nut	H62	
3	Disc	ZCuSn5PB5Zn5	
2	Body	ZCuSn5PB5Zn5	
1	Description	Material	Remark

No.				Description				Material				Remark							
Note				Handle				NO.				Sign				Date			
Design				Fukawei				Review											
Calibrator				Fukawei				Approver											
Process								Date				2015.18							

DRAWING

JIS 7368-10K

A total of 1 First

QingDao V-good Marine Valve Manufacturing Co.,LTD.