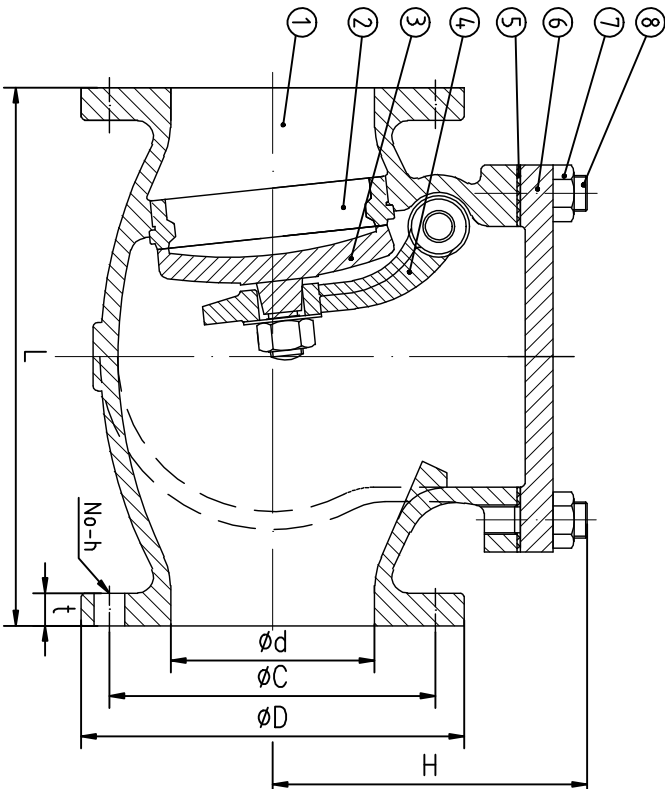




Marine Cast Iron Lift Check Globe Valves 5K



| DN | d | L | D | C | No-h | t | H | a |
|-----|-----|-----|-----|-----|-------|----|-----|----|
| 50 | 50 | 190 | 130 | 105 | 4-15 | 16 | 97 | 8 |
| 65 | 65 | 220 | 155 | 130 | 4-15 | 18 | 119 | 9 |
| 80 | 80 | 250 | 180 | 145 | 4-19 | 18 | 129 | 9 |
| 100 | 100 | 280 | 200 | 165 | 8-19 | 20 | 146 | 10 |
| 125 | 125 | 330 | 235 | 200 | 8-19 | 20 | 171 | 11 |
| 150 | 150 | 380 | 265 | 230 | 8-19 | 22 | 198 | 12 |
| 200 | 200 | 460 | 320 | 280 | 8-23 | 24 | 235 | 15 |
| 250 | 250 | 550 | 385 | 345 | 12-23 | 26 | 290 | 16 |
| 300 | 300 | 640 | 430 | 390 | 12-23 | 28 | 351 | 17 |

Technical Specification

| Nominal Pressure | Strength testing pressure | Seat testing pressure |
|------------------|---------------------------|-----------------------|
| 5K | 1.05MPa | 0.77MPa |

| | | | |
|---|----------------------|-------------------|-------------|
| 8 | Double Open end Bolt | Q235A | |
| 7 | Nut | Q235A | |
| 6 | Cover | HT200 | |
| 5 | Asbestos Free | Expanded graphite | |
| 4 | Rocker | H62 | |
| 3 | Disc | ZCuSn5PB5Zn5 | |
| 2 | Sealing Ring | ZCuSn5PB5Zn5 | |
| 1 | Body | HT200 | |
| NO. | Description | Material | Remark |
| | | | |
| | | | |
| | | | |
| | | | |
| Note | Handle | NO. | Sign |
| | | | |
| | | | |
| | | | |
| | | | |
| | | | |
| Design | Fukewei | Review | |
| Calibrator | Fukewei | Approver | |
| Process | | Date | 2015.1.31 |
| DRAWING | | | |
| | | | JIS 7372-5K |
| Note | QTY | Proportion | |
| | | | |
| A total of 1 first | | | |
| Qingdao V-gate Marine Valve Manufacturing Co., Ltd. | | | |