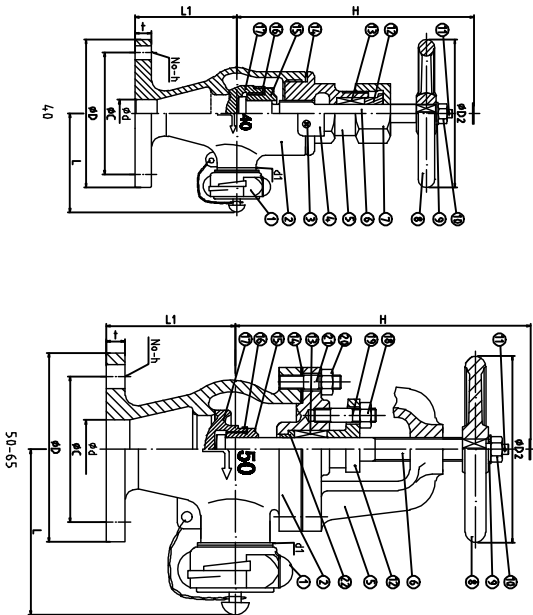
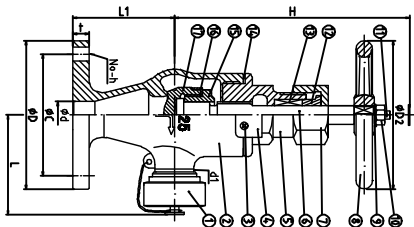




Marine Bronze Angle Hose Valves 5K/10K

Technical Specification

Nominal Pressure	Strong testing pressure	Seat testing pressure
5K	1.05MPa	0.77MPa
10K	2.1MPa	1.54MPa



DN	d	L	L1	D	C	t	No-h	H	D2	d1
5K15	15	68	55	80	60	9	4-12	120	80	42X2
10K15	15	73	70	95	70	12	4-15	120	80	42X2
5K25	25	78	65	95	75	10	4-12	145	125	42X2
10K25	25	83	85	125	90	14	4-19	145	125	42X2
5K40	40	124	85	120	95	12	4-15	165	140	52X2
10K40	40	124	100	140	105	16	4-19	165	140	52X2
5K50	50	155	100	130	105	14	4-15	240	160	64X2
10K50	50	160	120	155	120	16	4-19	255	160	64X2
10K65	65	180	130	175	140	18	4-19	270	200	80X2

22	packing seat	H62	
21	Double Open end Bolt	Q235A	
20	Nut	Q235A	
19	Double Open end Bolt	Q235A	
18	Nut	Q235A	
17	Disc	H62	
16	Gasket	H62	
15	Disc Nut	H62	
14	Asbestos Free	Expanded Graphite	
13	Graphite Packing	Expanded Graphite	
12	Gland Packing	H62	
11	Split Pin	A3	Electroplating yellow
10	Nut	Q235A	Electroplating yellow
9	Gasket Ring	Q235A	Electroplating yellow
8	Handhoel	HT200	
7	Gland nut	H62	
6	Stem	H62	
5	Cover	ZCuSn5Pb5Zn5	
4	Check Washer	H62	
3	Screw	Q235A	Electroplating yellow
2	Body	ZCuSn5Pb5Zn5	
1	Nakajima coupling Outlet	H62	
No.	Description	Material	Remark
JIS 7334-A-5K/10K			
Note		QTY	Proportion
A Total of 1 First			
Design		Fukuei	
Calibrator		Fukuei	
Process		Date	
Date		2015.18	
DRAWING			
QingDao V-good Marine Valve Manufacturing CO.,LTD.			