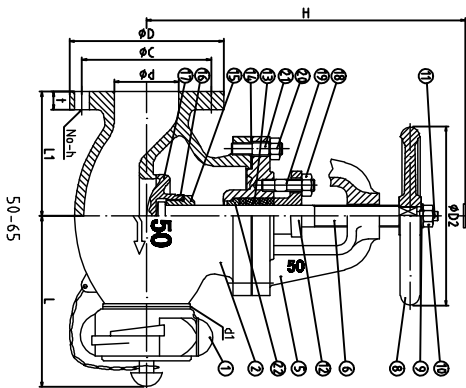
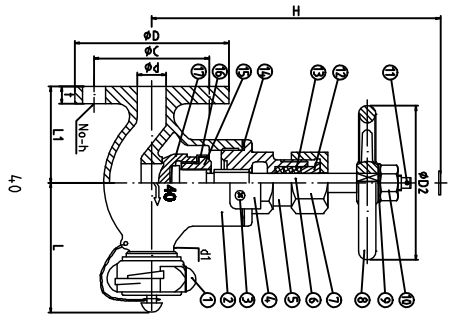
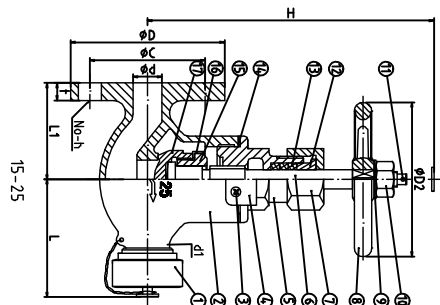




Marine Bronze Globe Hose Valves 5K/10K

Technical Specification

Nominal Pressure	Strength testing pressure	Seat testing pressure
5K	1.05MPa	0.77MPa
10K	2.1MPa	1.54MPa



DN	d	L	L1	D	C	t	No-h	H	D2	d1
5K15	15	73	50	80	60	9	4-12	130	80	42X2
10K15	15	73	55	95	70	12	4-15	130	80	42X2
5K25	25	78	60	95	75	10	4-12	160	125	42X2
10K25	25	83	65	125	90	14	4-19	160	125	42X2
5K40	40	129	80	120	95	12	4-15	190	140	52X2
10K40	40	143	90	140	105	16	4-19	190	140	52X2
5K50	50	160	105	130	105	14	4-15	270	160	64X2
10K50	50	165	110	155	120	16	4-19	285	160	64X2
10K65	65	200	135	175	140	18	4-19	310	200	80X2

22	packing seat	H62	
21	Double Open end Bolt	Q235A	
20	Nut	Q235A	
19	Double Open end Bolt	Q235A	
18	Nut	Q235A	
17	Disc	H62	
16	Gasket	H62	
15	Disc Nut	H62	
14	Asbestos Free	Expanded Graphite	
13	Graphite Packing	Expanded Graphite	
12	Gland Packing	H62	
11	Split Pin	A3	Electroplating yellow
10	Nut	Q235A	Electroplating yellow
9	Gasket Ring	Q235A	Electroplating yellow
8	Handwheel	HT200	
7	Gland nut	H62	
6	Stem	H62	
5	Cover	ZCuSn5Pb5Zn5	
4	Check Washer	H62	
3	Screw	Q235A	Electroplating yellow
2	Body	ZCuSn5Pb5Zn5	
1	Nakajima coupling Outlet	H62	
No.	Description	Material	Remark
JIS 7334-A-5K/10K			
Note		QTY	Proportion
A Total of 1 First			
Design		DRAWING	
Calibrator	Fukuei	Approver	
Process		Date	2015.18
QingDao V-gold Marine Valve Manufacturing CO.,LTD.			