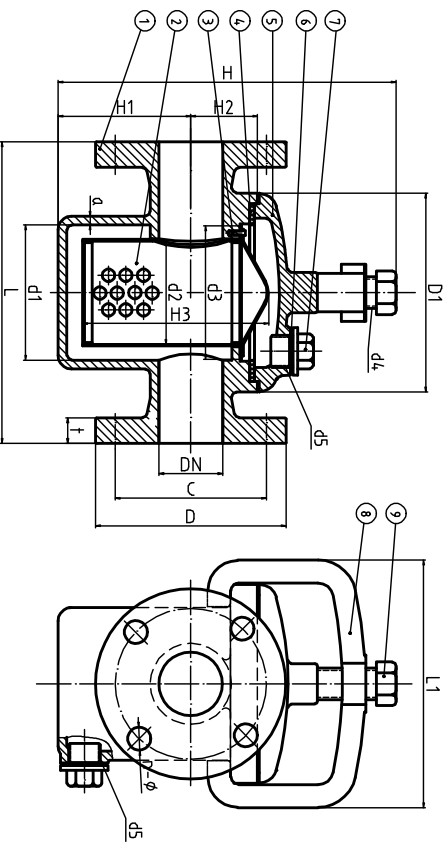




# Shipbuilding-can water filters

DN25~100

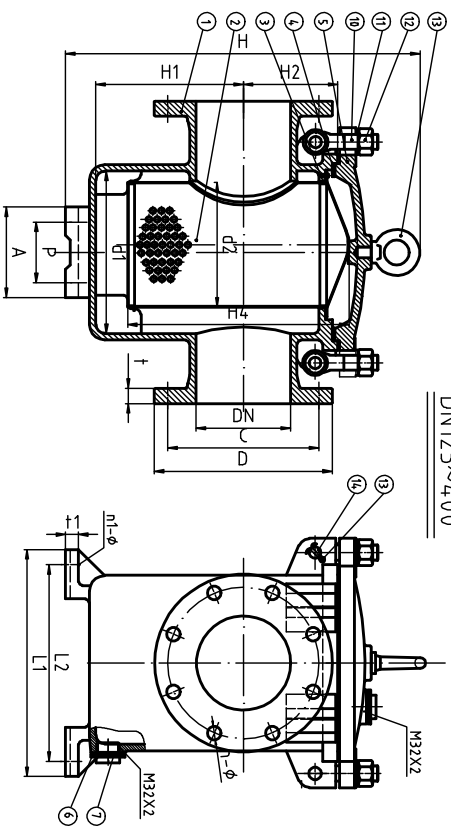


Technical Specification

Nominal Pressure	Strength testing pressure
5K	0.3MPa

DN	L	D	C	n-φ	t	H	a	D1	d1	H1	H2	H3	d2	d3	d4	d5	L1	
25	170	95	75	4-12	14	180	7	110	70	75	34.5	100	50	68	M16	M20x15	138	
32	190	115	90	4-15	16	215	7	125	85	85	42	119	65	84	M20	M20x15	155	
40	190	120	95	4-15	16	215	7	125	85	85	42	119	65	84	M20	M20x15	155	
50	200	130	105	4-15	16	240	8	135	95	100	49	140	75	94	M20	M20x15	170	
65	250	155	130	4-15	18	305	9	170	130	135	59	184	100	125	M22	M24x2	202	
80	270	180	145	4-19	18	340	9	190	145	152	68	209	110	140	M22	M24x2	238	
100	320	200	165	8-19	20	400	10	215	175	182	80	251	130	160	M30	M24x2	247	
DN	L	D	C	n-φ	t	H	a <td>D1</td> <td>H1</td> <td>H2</td> <td>H4</td> <td>d2</td> <td>A</td> <td>P</td> <td>t1</td> <td>n1-φ</td> <td>L1</td> <td>L2</td>	D1	H1	H2	H4	d2	A	P	t1	n1-φ	L1	L2
125	400	235	200	8-19	20	478	215	195	125	295	165	120	80	18	4-19	300	260	
150	460	265	230	8-19	22	570	260	245	145	360	200	130	90	20	4-19	350	310	
200	550	320	280	8-23	24	665	320	305	170	440	250	150	100	22	4-23	430	380	
250	680	385	345	12-23	26	825	420	395	210	565	330	200	140	24	4-25	540	480	
300	760	430	390	12-23	28	920	480	455	235	645	380	220	160	24	4-25	600	540	
350	820	480	435	12-25	30	1030	535	510	265	780	420	240	180	26	4-25	650	590	
400	880	540	495	16-25	30	1135	595	575	300	830	470	260	200	26	4-25	710	650	

DN125~400



15	Cotter pin	A3	
14	Pin shaft	25#	
13	Rings	Q235A	
12	Nut	25#	
11	Washer	Q235A	
10	A movable connection bolt	25#	
9	Bolt	2Cr13	
8	Handle	QT400-18	
7	Plug	H62	
6	Shim	No asbestos board	
5	Cover	HT200	
4	Shim	Oil resistant rubber	
3	Cylindrical pin	65Mn	
2	The filter	Q235A	
1	Body	HT200	
No.	Description	Material	
		JIS F7121 5K	
		JIS F7121 5K	
		NOTE	
		QTY	
		Proportion	
		A total of 1 first	
		QingDao V-goal Marine Valve Manufacturing Co., Ltd.	
Design	Fukewei	Review	
Calibrator	Fukewei	Approver	
Process		Date	2014.4.2

DRAWING

JIS F7121 5K

JIS F7121 5K

NOTE

QTY

Proportion

A total of 1 first

QingDao V-goal Marine Valve Manufacturing Co., Ltd.