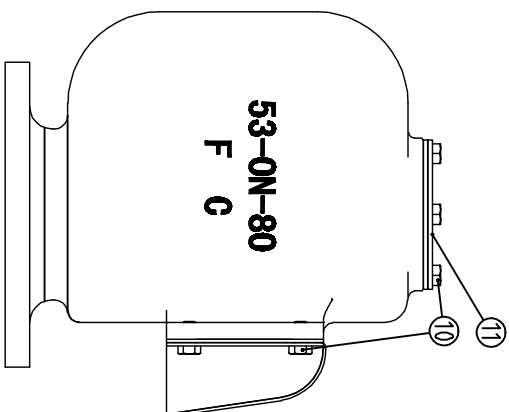
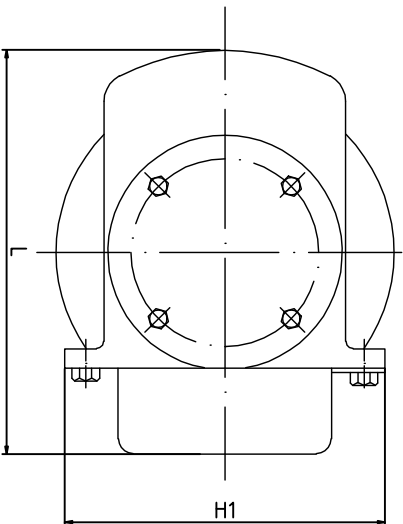
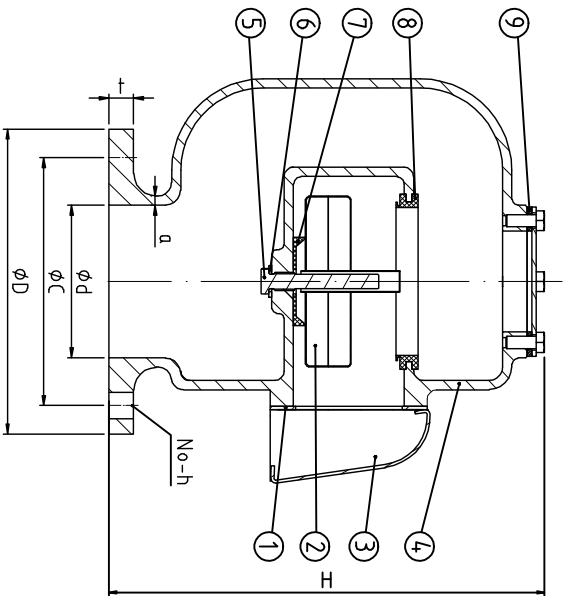




Air Pipe Head 530N



DN	d	D	C	No-h	H1	H	L	t	a
50	50	130	105	4-15	135	181	176	14	7
65	65	155	130	4-15	153	201	203	14	7
80	80	180	145	4-19	188	224	240	14	7
100	100	200	165	8-19	190	262	271	16	8
125	125	235	200	8-19	235	345	376	16	8
150	150	265	230	8-19	236	346	378	18	9
200	200	320	280	8-23	296	431	493	20	9

11	Cover	Q235	Galvanized
10	Hex Bolt	Q235	Galvanized
9	Cushion	NBR	
8	Rubber Ring	NBR	
7	Rubber Cushion	NBR	
6	Cushion	NBR	
5	Guide Bolt	304	
4	Body	HT200/Q1450	
3	Screen	Q235	Galvanized
2	Float	304/316	
1	Filter	304	
NO	Description	Material	Remark
			530N-尾盖
DRAWING			
Design		Fukewei	Review
Calibrator		Fukewei	Approver
Process		Date	2015.28
Note		Handle NO.	Sign Date
A total of 1 first			
Note		QTY	Proportion
QingDao V-good Marine Valve Manufacturing Co.,LTD.			