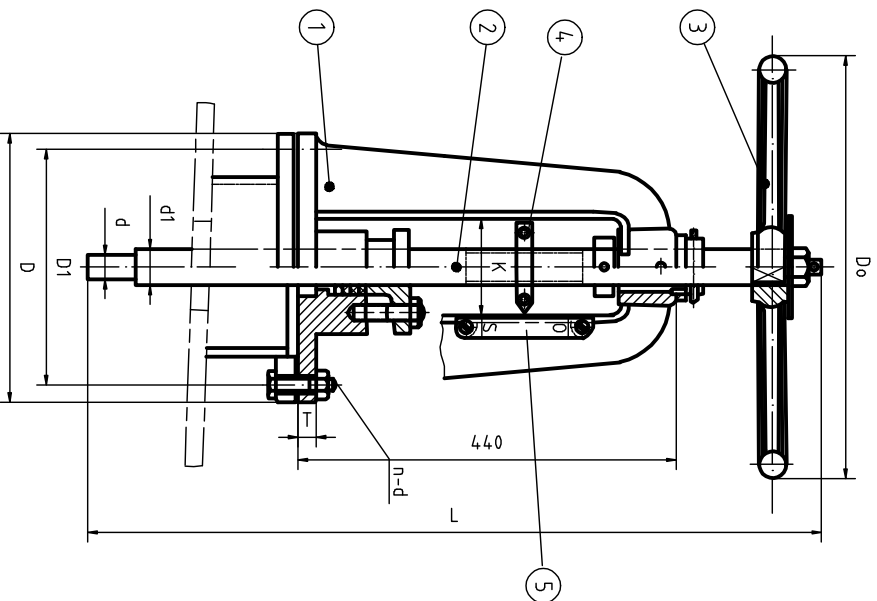




JIS DECK STAND VALVE F3024 DN25-42



DN	D	D1	L	T	d	d1	n-d	D0	Weight (KG)
25	265	230	84.0	18	25	34	8-19	280	4.2
32	320	280	85.4	20	32	4.0	8-23	4.00	5.0
42	320	280	86.15	20	42	4.6	8-23	5.00	5.8

NO.	Description	Material	QTY	Remark
5	Staff	Brass H62	1	
4	Indicator	Brass H62	1	
3	Handhell	CAST IRON FC200	1	
2	Stem	SS420 (2CR13)	1	
1	Body	CAST IRON FC200	1	

Note	Handle	NO.	Sign	Date
Design	Fukewei		Review	
Calibrator	Fukewei		Approver	
Process		Date		2013.5.18

DRAWING			
JIS F3024		A total of 1 first	
Note	QTY	Proportion	

QingDao V-goal Marine Valve Manufacturing CO.,LTD.